

JOB \_\_\_\_\_ TYPE **FOR 30FT POLES** - QTY **44**

NOTES \_\_\_\_\_ APPROVALS \_\_\_\_\_

### FEATURES

- PicoPrism® technology¹
- Family of six sizes
- Available in 580nm, 3000K, 4000K and 5000K standard CCT
- Type 1, 2, 3, 4, 5 standard distributions
- 0-10V dimming drivers standard
- IP66 certified

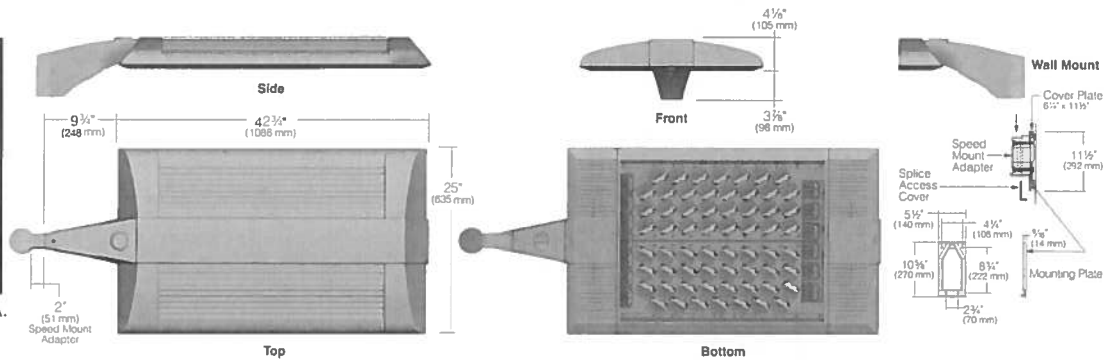
### Certifications



### SPECIFICATIONS



Approx. Weight = 67 lbs. EPA 1.14 for 15A.  
 See Mounting for Additional EPA's.



### ORDERING CODE

Configuration	EPA	Fixture	Electrical Module	Fixture Finish	Photocell Options
1SA	1 Arm Side Mt.	1.14	Distribution	BL Black	A25-7 7-pin Photocell Receptacle
2SB	2 Arm Side Mt.	2.28	Drive Current	DB Dark Bronze	A30 120V Button Photocell
2SL	2 Arm Side Mt.	1.68	ALT1 Type I	GT Graphite	A31 208V Button Photocell
3ST	3 Arm Side Mt.	2.82	ALT2 Type II	LG Light Gray	A32 240V Button Photocell
3SY*	3 Arm Side Mt.	2.82	ALT3 Type III	PS Platinum Silver	A33 277V Button Photocell
4SC	4 Arm Side Mt.	3.10	ALT4 Type IV	TT Titanium	A34 480V Button Photocell
1W	Single Wall Mt.	n/a	ALT5 Type V	WH White	A35 347V Button Photocell
HSF	Horizontal Slipfitter	n/a	ALTR Type R, Right	CC Custom Color*	
			ALTL Type L, Left		

\*Available round poles only. EPA is for Fixture only.

\*Consult Representative

Fuse Options	Lens Option	NFO Option	Control Options	Control Accessories
SF 120, 277, 347 Line Volts	FGL <sup>5</sup> Flat Glass Lens	NFO <sup>*</sup> Neighbor Friendly Optic	<b>Wireless</b>	SW7PR <sup>7,8</sup> Site Sync with 7 pin PCR
DF 208, 240, 480 Line Volts	FPL <sup>5,6</sup> Flat Polycarbonate Lens <sup>5,6</sup>	*Photometry available for Type III/IV. All others, consult factory.	WIR-RMI-IO 120-347V, 1000' range, WiSCAPE RF mesh control system with off/on/dim, motion, photo, GPS location, alert, monitoring and metering capabilities.	SWUSB SiteSync Software on USB
			<b>Motion</b>	SWTAB SiteSync Windows® Tablet
			SCL-R Round Pole Mounted Occupancy Sensor up to 16'	SWBRG SiteSync Wireless Bridge Node
			SCL-S Square Pole Mounted Occupancy Sensor up to 16'	WIR-RME-L WiSCAPE External Fixture Module
			SCH-R Round Pole Mounted Occupancy Sensor 16' to 30'	
			SCH-S Square Pole Mounted Occupancy Sensor 16' to 30'	

### Mounting Options

VSF Vertical Slipfitter Mount for 2" pipe tenon, (2-3/8" O.D.)	Side Arm Mount
SVSF Vertical Slipfitter Mount square for 2" pipe tenon, (2-3/8" O.D.)	3-4RD 3.3" to 4.2" O.D. round pole
	4-6RD 4.5" to 6" O.D. round pole
	SQ Square Pole

For Pole Spec Select: [http://www.kimlighting.com/products/arms\\_and\\_poles/](http://www.kimlighting.com/products/arms_and_poles/)  
 For Control Spec Select: <http://trpsll.com/index.html>

Microsoft, Encarta, MSN, and Windows are either registered trademarks or trademarks of Microsoft Corporation in the United States and/or other countries.

Kim Lighting reserves the right to change specifications without notice.

- 1 US Patent No. D674,965 S. Other patents pending.
- 2 For custom optics and color temperature configurations, contact factory.
- 3 Turtle friendly. Maximum 500mA drive current for 2K amber option.
- 4 347V & 480V currents may be supplied with step-down transformer.
- 5 350mA only.
- 6 Use only when vandalism is anticipated to be high. Required only for vandal protection in locations where fixtures can be reached by unauthorized persons.
- 7 When ordering SiteSync at least one of these two interface options must be ordered per project.
- 8 If needed, an additional Bridge Node can be ordered.

## LUMINAIRE PERFORMANCE

Spectroradiometric			
	3000K Average	4200K Average	5100K Average
Color Rendering Index (CRI)	≥75	≥70	≥65
Power Factor	>.90	>.90	>.90

Projected Lumen Maintenance		
mA	50,000 hrs	100,000 hrs
350	97.90%	96.19%

Electrical - Drive Current @350mA		
Volts - AC	Amps - AC	System Watts
120	2.87	344
208	1.65	344
240	1.43	344
277	1.24	344
347	0.99	344
480	0.72	344

Current - 350mA

B.U.G. Rating (TM15) in Lumens where B = Backlight, U = Uplight, G = Glare																
Temperature	TYPE 1	TYPE 1 FGL	TYPE 2	TYPE 2 FGL	TYPE 3	TYPE 3 FGL	TYPE 3 NFO	TYPE 3 NFO FGL	TYPE 4	TYPE 4 FGL	TYPE 4 NFO	TYPE 4 NFO FGL	TYPE 5	TYPE 5 FGL	TYPE L/R	TYPE L/R FGL
3000K	B5 U0 G5	B5 U0 G5	B5 U0 G5	B4 U0 G5	B5 U0 G5	B3 U0 G5	B4 U0 G5	B4 U0 G5	B2 U0 G5	B2 U0 G5	B1 U0 G5	B1 U0 G5	B4 U0 G5	B5 U0 G5	B4 U0 G5	B4 U0 G5
4200K	B5 U0 G5	B5 U0 G5	B5 U0 G5	B5 U0 G5	B5 U0 G5	B3 U0 G5	B4 U0 G5	B4 U0 G5	B2 U0 G5	B2 U0 G5	B1 U0 G5	B1 U0 G5	B4 U0 G5	B5 U0 G5	B4 U0 G5	B4 U0 G5
5100K	B5 U0 G5	B5 U0 G5	B5 U0 G5	B5 U0 G5	B4 U0 G5	B3 U0 G5	B4 U0 G5	B4 U0 G5	B2 U0 G5	B2 U0 G5	B1 U0 G5	B1 U0 G5	B5 U0 G5	B5 U0 G5	B4 U0 G5	B4 U0 G5

Absolute Lumens																
Temperature	TYPE 1	TYPE 1 FGL	TYPE 2	TYPE 2 FGL	TYPE 3	TYPE 3 FGL	TYPE 3 NFO	TYPE 3 NFO FGL	TYPE 4	TYPE 4 FGL	TYPE 4 NFO	TYPE 4 NFO FGL	TYPE 5	TYPE 5 FGL	TYPE L/R	TYPE L/R FGL
3000K	38323	29509	38585	29710	38717	29812	34189	26326	38651	29761	34325	26430	38717	29812	38779	29860
4200K	39305	30265	39573	30472	39709	30576	35065	27000	39641	30523	35205	27108	39709	30576	39772	30625
5100K	39754	30611	40026	30820	40163	30926	35466	27309	40094	30872	35607	27417	40163	30926	40227	30975

LED performance and lumen output continues to improve at a rapid pace. Log onto [www.kimlighting.com](http://www.kimlighting.com) to download the most current photometric files from Kim Lighting's IES File Library. For custom optics and color temperature configurations, contact factory.

Kim Lighting reserves the right to change specifications without notice.

## SPECIFICATIONS

### Housing:

- Extruded low copper aluminum main body.
- Die-cast low copper aluminum electrical gear compartment.
- Stainless steel hardware.
- Die cast wall separates the optical and electrical compartment acting as thermal barrier.
- Electrical gear compartment doors are fastened with two hinges and a latch made of stainless steel.
- Silicone gaskets seal the compartments at the barrier surface.

### Optical Module:

- PicoPrism® refractors (enclosed LED PCBs for IP66 rating) aimed toward the task and spreads horizontally to produce great uniformity.
- Type I, II, III, IV, V, L (left), and R (right) standard distributions. Custom available.
- 3000K, 4000K, 5000K standard CCT. Amber and custom available.
- IP66 certified.
- Die-cast, low copper aluminum heat sink modules provide thermal transfer at PCB level.
- Anodized aluminum carrier plate and heat sink modules.

### Lens Frame:

- One-piece low copper aluminum alloy die-cast is secured to housing with two toolless latches.

### Neighbor Friendly Optic

- Optional integrated Neighbor Friendly Optic on each LED module to completely control unwanted backlight. Most effective with Type III and IV distributions.

### Lens

- One-piece flat glass lens slips into reveal. Extra silicone gasketing is provided to retain a clear optical compartment. CAUTION: Use only when vandalism is anticipated to be high.

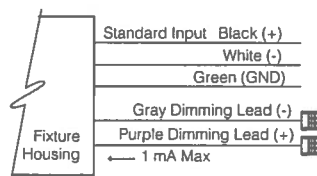
### Electrical Characteristics:

- Pre-assembled, aluminum gear tray.
- 120V through 480V @ 50/60Hz.
- Class 2, 350mA or 700mA

- Power Factor = >.90
- National Electrical Code, ANSI/NFPA 70.
- 10kV surge suppression.
- Thermal shield thermal control.
- -30c starting driver.
- 0-10V dimming interface.
- All electronic components are IP66 rated.
- Electronic components are UL and/or CSA recognized.
- Standard programmable driver for variable drive current settings from 350mA to 700mA.

### Dimming:

- 10% to 100% dimming by the use of standard 0-10V interface driver.
- To activate the dimming system, a wiring harness is supplied and attached to the DIM Port (DIM IN) on the thermal shield protection system. This port allows the 0-10V Interface to bypass the thermal shield and control the driver.
- The thermal shield works in conjunction with the control system to assure that overheating will not harm the LEDs.
- The wiring harness is connected with the use of the Purple lead as the positive (+) and the Grey lead as the negative (-) to an available control signal (by others).



### Support Arm:

- Speed Mount and a reinforcing plate are provided with wire strain relief.
- Speed Mount is square or circular cut for specified pole size and shape.
- Die-cast, low copper aluminum support arm for direct pole mount.
- Die-cast aluminum tool-less entry splice access cover.
- Terminal block is mounted in the arm cavity and accepts #14 to #8 wire sizes.
- Prewired to electrical module with quick-disconnect plugs located inside the electrical compartment.

- Optional cast, low copper aluminum horizontal slip-fitter with adaptor plate to secure the luminaire to 1-1/4" to 2" IPS pipe size arms.
- Optional cast aluminum wall mount plate assembly. Attaches to the wall over the junction box. Luminaire attaches to the wall plate with a square cut Speed Mount.

### Finish:

- Fade and abrasion resistant, electrostatically applied, thermally cured, triglycidal isocyanurate (TGIC) polyester powdercoat.
- Standard colors include (BL) Black, (DB) Dark Bronze, (GT) Graphite, (WH) White, (PS) Platinum Silver, (LG) Light Gray, (TT) Titanium, and (CC) Custom Color (Include RAL#).

### Fusing:

**SF** for 120, 277 and 347 Line Volts  
**DF** for 208, 240 and 480 Line Volts.

- High temperature fuse holders factory installed inside the fixture housing. Fuse is included.

### Certifications and Listings:

- UL 1598 Standard for wet locations for Luminaires.
- UL 8750 Standard for Safety for Light Emitting Diode (LED) Equipment for use in Lighting Products.
- IP66 certified.
- CSA C22.2#250.0 Luminaires.
- ANSI C136.31-2010 1.5G Level 1 Vibration tested and compliant.
- RoHS compliant.
- Meets Buy American provisions within ARRA.
- IDA approved, 3000K and warmer CCTs only.

### CAUTION:

- Fixtures must be grounded in accordance with national, state and/or local electrical codes, Failure to do so may result in serious personal injury.

### WARRANTY:

- For full warranty see <http://www.hubbellighting.com/resources/warranty>

Kim Lighting reserves the right to change specifications without notice.

JOB \_\_\_\_\_

TYPE **FOR 10FT POLES** - QTY **21**

NOTES \_\_\_\_\_

APPROVALS \_\_\_\_\_

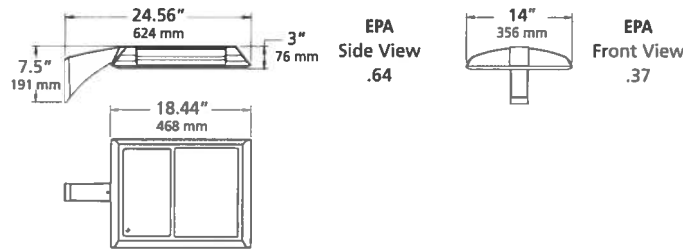
### FEATURES

- Elegant form factor
- High performance optics provide up to 17,500 delivered lumens
- Diffusion lens for low glare comfort
- NX™ wireless control options

### CERTIFICATIONS



### SPECIFICATIONS



Weight: 21.5 lbs / 9.75 kg

### ORDERING CODE

Series	LED Engine	CCT	Distribution	Rotation	Voltage	Mounting
ALT1 Altitude	<b>No Lens</b> 28L-20 3,000 lm 28L-40 5,000 lm 28L-60 7,500 lm 28L-85 10,000 lm 54L-95 12,500 lm 54L-120 15,000 lm 54L-155 17,500 lm	<b>AM Amber</b> 3K7 3000K, 70 CRI 4K7 4000K, 70 CRI 5K7 5000K, 70 CRI <b>3K8 3000K, 80 CRI</b> 4K8 4000K, 80 CRI 3K9 3000K, 90 CRI	<b>FR Type I/Front Row</b> 2 Type II 3 Type III 4 Type IV 4W Type IV Wide 5QM Type V Square Medium 5QN Type V Square Narrow 5R Type V Rectangular 5W Type V Wide (Round)	Blank for no rotation L <sup>1</sup> Optic rotation left R <sup>1</sup> Optic rotation right	<b>UNV 120-277V</b> 347 347V 480 480V	<b>ASQ Arm Square pole</b> A34 Arm mt 3.3-4.2" OD pole A46 Arm mt 4.5-6.0" OD pole <b>MAF Horizontal Slipfitter 2 3/8" OD arm</b> SVSF Vertical Slipfitter Mount square for 2" pipe tenon, (2-3/8" O.D.) VSF Vertical Slipfitter Mount for 2" pipe tenon, (2-3/8" O.D.) WB Wall Bracket for area wall mount

Fixture Finish	Control Options	Options	Control Accessories
BL Black DB Dark Bronze GT Graphite LG Light Gray PS Platinum Silver TT Titanium WH White CC Custom Color <sup>1</sup> † Consult factory	<b>7PR</b> 7 pin PCR, wireless control enabled <b>7PR-TL</b> 7 pin PCR with twist lock photocontrol <b>7PR-SC</b> 7 pin PCR with shorting cap <b>AD-01<sup>2</sup></b> AstroDIM: 50% output at midnight <b>AD-02<sup>2</sup></b> AstroDIM: 50% output midnight to 4 AM <b>AD-03<sup>2</sup></b> AstroDIM: 50% output 10PM <b>AD-04<sup>2</sup></b> AstroDIM: 50% output 10PM to 4AM <b>NXSP14F<sup>2,3</sup></b> Wired NX, PIR Occupancy Sensor, Dimming Daylight Harvesting, 14' <b>NXSP30F<sup>2,3</sup></b> Wired NX, PIR Occupancy Sensor, Dimming Daylight Harvesting, 30' <b>NXSPW14F<sup>2,3</sup></b> NX Wireless, PIR Occupancy Sensor, Dimming Daylight Harvesting, 14' <b>NXSPW30F<sup>2,3</sup></b> NX Wireless, PIR Occupancy Sensor, Dimming Daylight Harvesting, 30' <b>NXWE</b> NX Wireless Enabled	<b>SCL-8F</b> Low voltage sensor for 3rd party wireless controls via 7PR. For mounting heights up to 8' <b>SCL-40F</b> Low voltage sensor for 3rd party wireless controls via 7PR. For mounting heights 9' to 40' <b>SCP-8F</b> Remote control programmable line voltage sensor, use with SCPREMOTE <b>SCP-40F</b> Remote control programmable line voltage sensor, use with SCPREMOTE <b>SWP<sup>2,3,4</sup></b> Site Sync™ Pre Commission Wireless Module <b>SWPM-40F<sup>2,3,4</sup></b> Site Sync with Sensor 9' to 40' MH	<b>BC<sup>3</sup></b> Backlight Control <b>SF</b> Single Fuse <b>DF</b> Double Fuse <b>TB</b> Terminal Block <b>CLR</b> Clear Lens <b>HDL<sup>6</sup></b> Diffuse Lens <b>SCPREMOTE</b> Remote control for SCP option. Order at least one per project to program and control the occupancy sensor <b>SW7PR</b> SiteSync™ on fixture module via 7PR <b>SWUSB</b> SiteSync™ Software on USB <b>SWTAB</b> SiteSync™ Windows Tablet <b>SWBRG</b> SiteSync™ Wireless Bridge Node <b>SWFC</b> SiteSync™ Field Commission Service <b>WIR-RME-L</b> wiSCAPE™ External Fixture Module <b>NXOFM-1R1D-UNV</b> NX External Control Node

Microsoft, Encarta, MSN, and Windows are either registered trademarks or trademarks of Microsoft Corporation in the United States and/or other countries.

- 1 Not available with 5QM and 5W distributions.
- 2 Not available with other sensor or wireless control options.
- 3 Not available in 480V.
- 4 Specify group and zone at time of order. See [www.hubbellighting.com/sitesync](http://www.hubbellighting.com/sitesync) for more details. Order at least one SiteSync interface accessory SWUSB or SWTAB. Each option contains SiteSync License, GUI, and Bridge Node.
- 5 Not available with Type 5 distributions, CLR, or HDL option.
- 6 Only available in Type 3 or Type 5W

Kim Lighting reserves the right to change specifications without notice.

## LUMINAIRE PERFORMANCE

LED #	Nominal Lumen Package	Nominal Wattage	Lens Options	Distribution	3000K 70CRI					4000K 70CRI					5000K 70CRI							
					Lumen	BUG Rating			lm/w	Lumen	BUG Rating			lm/w	Lumen	BUG Rating			lm/w			
						B	U	G			B	U	G			B	U	G				
28L	5,000	40	No Lens	FR	4870	1	0	0	128	5127	1	0	0	135	5195	1	0	0	137			
				FR-BC	3189	0	0	0	84	3356	0	0	0	88	3401	0	0	0	90			
				2	4546	1	0	1	120	4785	1	0	1	126	4849	1	0	1	128			
				2-BC	2773	0	0	1	73	2919	0	0	1	77	2958	0	0	1	78			
				3	4611	1	0	2	121	4854	1	0	2	128	4919	1	0	2	129			
				3-BC	2786	0	0	1	73	2933	0	0	1	77	2972	0	0	1	78			
				4	4608	1	0	2	121	4851	1	0	2	128	4915	1	0	2	129			
				4-BC	3428	0	0	1	90	3608	0	0	1	95	3656	0	0	1	96			
				4W	4584	1	0	2	121	4825	1	0	2	127	4889	1	0	2	129			
				4W-BC	2621	0	0	1	69	2758	0	0	1	73	2795	0	0	1	74			
				5R	4737	2	0	2	125	4986	3	0	1	131	5053	3	0	3	133			
				5QM	4806	2	0	1	126	5058	2	0	1	133	5126	2	0	1	135			
				5QN	4777	2	0	0	126	5028	2	0	0	132	5096	2	0	0	134			
				5W	4736	3	0	1	125	4985	2	0	2	131	5052	3	0	1	133			
			Clear Lens	FR	4555	1	0	0	120	4795	1	0	0	126	4859	1	0	0	128			
				2	4252	1	0	1	112	4476	1	0	1	118	4536	1	0	1	119			
				3	4333	1	0	1	114	4561	1	0	1	120	4622	1	0	1	121			
				4	4310	0	0	2	113	4537	1	0	2	119	4598	1	0	2	121			
				4W	4287	1	0	2	113	4513	1	0	2	119	4573	1	0	2	120			
				5R	4431	2	0	2	117	4663	2	0	2	123	4726	2	0	2	124			
				5QM	4495	2	0	1	118	4731	2	0	1	125	4794	2	0	1	126			
				5QN	4468	2	0	0	118	4703	2	0	0	124	4766	2	0	0	125			
			HDL Lens	5W	4430	3	0	1	117	4663	3	0	1	123	4725	3	0	1	124			
				3	3741	1	0	1	98	3937	1	0	1	104	3990	1	0	1	105			
							5W	3891	2	0	1	102	4095	2	0	1	108	4150	2	0	1	109

Lumen Multiplier		
CCT	80 CRI	90 CRI
3000K	0.9119	0.7033
4000K	0.8941	N/A

Kim Lighting reserves the right to change specifications without notice.

## SPECIFICATIONS

### Housing:

- Low copper aluminum alloy die-casting is designed as one-piece with internal cooling fins.
- Solid, cast aluminum wall creates a thermal barrier between the optical and electrical compartments.
- Molded silicone gasket throughout insures the sealing between the two compartments and provides ingress protection.
- Housing is designed with integral LED heat sink utilized for thermal transfer and for securing the location of each LED module.
- IK09 rated enclosure protects electrical equipment against external mechanical impacts.

### Lens Frame:

- One-piece low copper aluminum alloy die-cast is secured to housing with 6 screws.

### Backlight Control

- Optional Backlight Control on each LED module to completely control unwanted backlight.

### Lens

One-piece flat glass lens slips secure with clips. Extra silicone gasketing is provided to retain a clear optical compartment.

### Optical Module:

- LEDs shall be mounted to a metal printed circuit board assembly (MCPCB).
- Optical lenses shall be clear injection molded PMMA acrylic.
- Each MCPCB and optic shall be sealed to the diecast housing and sealed with a continuous one piece injection molded silicone rubber gasket.
- Patent Pending design of optical array shall independently shield each LED optic across the length of the aperture.
- Optional fixture finish optical surfaces shall not exceed BUG ratings of the standard white finish and shall be greater than or equal to the delivered lumens of the optional matte black optical surface finish.

### Electrical Components

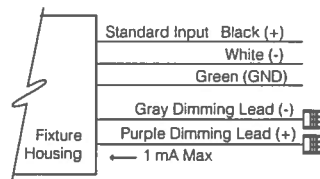
- Standard programmable driver allows for programmable drive current settings.
- Electrical components are strategically located in the driver gear compartment with a molded silicon grommet seal to provide separation from the optical chamber.
- Maximum lightning surge current 20KA with thermally protected varistor technology. Surge suppression is series circuited preventing

total fixture failure. ANSI/IEEE C62.41 Category C High.

- Open circuit fault will turn off the luminaire in order to protect the sensitive electronics and acts as a signal for maintenance.
- Programmable Driver is rated for -40°C starting.
- "Thermal Shield", primary side, thermister provides protection for the sustainable life of electronic components (350mA to 700mA).

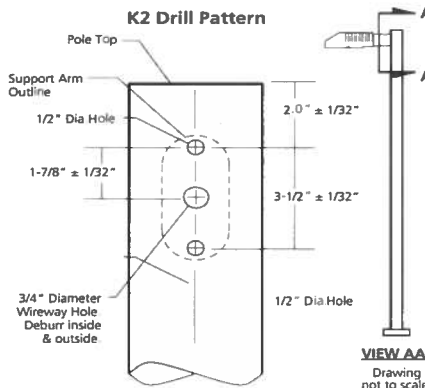
### Dimming:

- Dimming range from 100% to 10% through the use of the standard 0-10V interface on the programmable driver.
- Modular wiring harness in the service area provides user access to the dimming circuitry.
- Dimming circuitry compatible with 0-10V, user-defined control devices.
- Optional factory programmed dimming profile.



### Support Arm:

- Die-cast, low copper aluminum alloy, with splice access cover.
- Die-cast pole adaptor and an internal reinforcing plate are provided with a wire strain relief.
- The arm adapter is square or circular cut for specified pole size and shape.
- For field wire connections, a terminal block is mounted in the arm cavity and accessible behind the splice access cover. The block accepts #14 to #8 wire sizes and is factory prewired to the electrical module's quick-disconnect plug inside the electrical compartment.



Kim Lighting reserves the right to change specifications without notice.

### Optional Wall Mount:

- Optional, cast aluminum mounting plate attaches to a wall over a junction box and the speed mount is bolted to the cover plate. To complete the wiring, the luminaire assembly slides over the mounting plate.

### Fusing:

SF for 120, 277, and 347 Line volts

DF for 208, 240, and 480 Line volts

High temperature fuse holders factory installed inside the fixture housing.

Fuse is included.

### Finish:

Fade and abrasion resistant, electrostatically applied, thermally cured, triglycidal isocyanurate (TGIC) polyester powdercoat.

Standard colors include (BL) Black, (DB) Dark Bronze, (GT) Graphite, (PS) Platinum Silver, (LG) Light Gray, (TT) Titanium, (WH) White, and (CC) Custom Color (Include RAL#).

### Certifications and Listings:

- UL 1598 Standard for Luminaires.
- UL 8750 Standard for Safety for Light.
- ANSI C136.31-2010 3G Vibration tested and compliant.
- IDA approved, 3000K and warmer CCTs only

### CAUTION:

Fixtures must be grounded in accordance with national, state and/or local electrical codes. Failure to do so may result in serious personal injury.

### WARRANTY:

For full warranty see: <http://www.hubbellighting.com/resources/warranty>