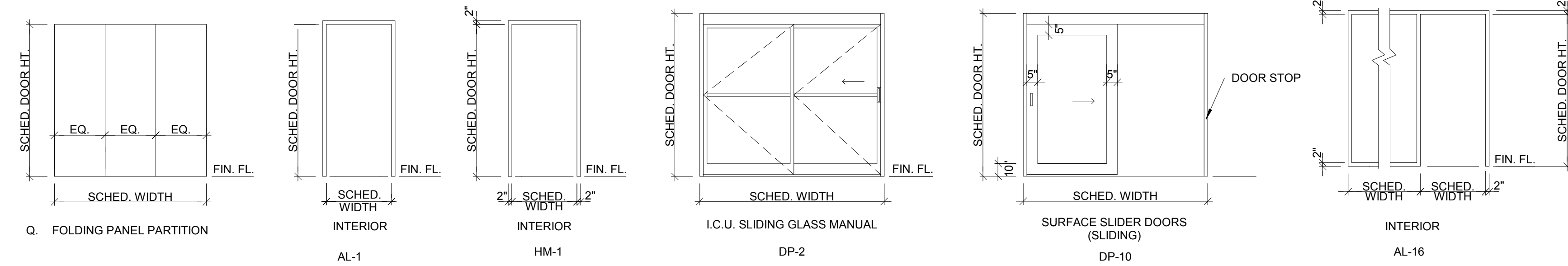
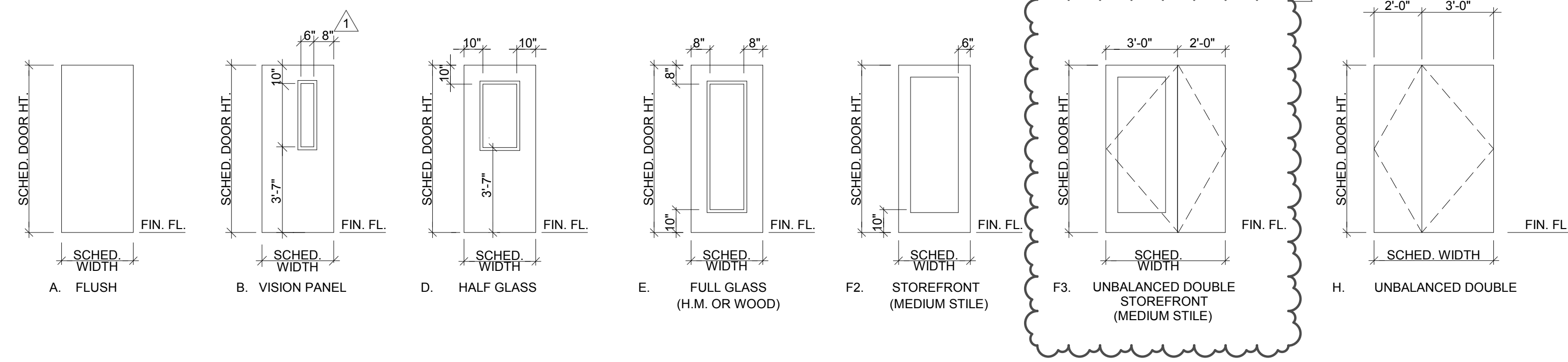


E



D

C

B

A

OPENING - DOOR SCHEDULE

ROOM NAME	OPENING NUMBER	OPENING			MATERIAL	FRAME TYPE	HARDWARE SET	FIRE RATING	REMARKS	SIGNAGE
		WIDTH	HEIGHT	TYPE						
SERVER ROOM	4D03	3'-0"	8'-0"	F2	FWD	AL-1	110			OFOI
LOBBY	4H04	3'-6"	9'-8"	F2	ALS	AL-1	111			OFOI
LOBBY	4H05	3'-6"	9'-8"	F2	ALS	AL-1	111			OFOI
SP EXAM 01	401	3'-0"	8'-0"	A	FWD	AL-1	112		PLAM MATCH SALVAGED	OFOI
SP EXAM 02	403	3'-0"	8'-0"	A	FWD	AL-1	112		PLAM MATCH SALVAGED	OFOI
SP EXAM 03	405	3'-0"	8'-0"	A	FWD	AL-1	EXISTING		SALVAGED	OFOI
EXAM 4	407	3'-0"	8'-0"	A	FWD	AL-1	EXISTING		SALVAGED	OFOI
EXAM 5	409	3'-0"	8'-0"	A	FWD	AL-1	EXISTING		SALVAGED	OFOI
EXAM 6	413	3'-0"	8'-0"	A	FWD	AL-1	EXISTING		SALVAGED	OFOI
EXAM 7	415	3'-0"	8'-0"	A	FWD	AL-1	EXISTING		SALVAGED	OFOI
EXAM 8	417	3'-0"	8'-0"	A	FWD	AL-1	EXISTING		SALVAGED	OFOI
EXAM 9	419	3'-0"	8'-0"	A	FWD	AL-1	EXISTING		SALVAGED	OFOI
EXAM 10	421	3'-0"	8'-0"	A	FWD	AL-1	EXISTING		SALVAGED	OFOI
PSY 11	423	3'-0"	8'-0"	A	FWD	AL-1	EXISTING		SALVAGED	OFOI
PSY 12	425	3'-0"	8'-0"	A	FWD	AL-1	EXISTING		SALVAGED	OFOI
PSY 13	427	3'-0"	8'-0"	A	FWD	AL-1	EXISTING		SALVAGED	OFOI
PSY 14	429	3'-0"	8'-0"	A	FWD	AL-1	EXISTING		SALVAGED	OFOI
SHARED STORAGE	431	3'-0"	8'-0"	A	FWD	AL-1	110	45	SOUNDPROOF	OFOI
BULK STORAGE	436	5'-0"	8'-0"	H	FWD	HM-1	103			OFOI
STORAGE WORKROOM	437	5'-0"	8'-0"	H	FWD	HM-1	103			OFOI
SKILLS & TASKS 1	440A	5'-0"	8'-0"	F3	ALS	AL-1	104		GF-1 FILM	OFOI
SKILLS & TASKS 1	440B	3'-0"	8'-0"	F2	ALS	AL-1	105		GF-1 FILM	OFOI
SKILLS & TASKS 2	445A	5'-0"	8'-0"	F3	ALS	AL-1	104		GF-1 FILM	OFOI
SKILLS & TASKS 2	445B	3'-0"	8'-0"	F2	ALS	AL-1	105		GF-1 FILM	OFOI
SKILLS & TASKS 3	450A	5'-0"	8'-0"	F3	ALS	AL-1	104		GF-1 FILM	OFOI
SKILLS & TASKS 3	450B	3'-0"	8'-0"	F2	ALS	AL-1	105		GF-1 FILM	OFOI
SKILLS & TASKS 4	460A	3'-0"	8'-0"	F2	ALS	AL-1	109		GF-1 FILM	OFOI
SKILLS & TASKS 4	460B	5'-0"	8'-0"	F3	ALS	AL-1	104		GF-1 FILM	OFOI
SIM STORAGE	467	5'-0"	8'-0"	H	FWD	HM-1	107			OFOI
PAT FLEX 1	470A	8'-6"	8'-0"	DP-2	ASD	ALS	106			OFOI
PAT FLEX 1	470A1	13'-6"	10'-0"	OPP	OPP	MANF			OPERABLE PARTITION	
PAT FLEX 2	470B	8'-6"	8'-0"	DP-2	ASD	ALS	106			OFOI
PAT FLEX 3	470C	8'-6"	8'-0"	DP-2	ASD	ALS	106			OFOI
DEBRIEF 1	470D	3'-0"	8'-0"	F2	ALS	AL-16	102			OFOI
DEBRIEF 2	470G	3'-0"	8'-0"	F2	ALS	AL-16	102			OFOI
DEBRIEF 3	470H	3'-0"	8'-0"	F2	ALS	AL-16	102			OFOI
PAT FLEX 4	470I	8'-6"	8'-0"	DP-2	ASD	ALS	106			OFOI
PAT FLEX 5	470J	8'-6"	8'-0"	DP-2	ASD	ALS	106			OFOI
CONTROL (5)	470K	3'-0"	8'-0"	F2	ALS	AL-1	102			OFOI
PAT FLEX 6	470L	8'-6"	8'-0"	DP-2	ASD	ALS	106			OFOI
CORRIDOR	470M	6'-0"	8'-0"	F2	ALS	AL-1	101		CARD READER	OFOI
CORRIDOR	470N	6'-0"	8'-0"	F2	ALS	AL-1	101		CARD READER	OFOI
DEBRIEF 4	475	3'-0"	8'-0"	F2	ALS	AL-1	102			OFOI
HOME HEALTH	477	3'-0"	8'-0"	F2	ALS	AL-1	102			OFOI
HOME HEALTH TOILET	477A	2'-6"	8'-0"	A	FWD	AL-1	108			OFOI
OFFICE TECH	480	3'-0"	8'-0"	F2	ALS	AL-1	100		GF-1 FILM	OFOI
OFFICE	482	3'-0"	8'-0"	F2	ALS	AL-1	100		GF-1 FILM	OFOI
OFFICE	484	3'-0"	8'-0"	F2	ALS	AL-1	100		GF-1 FILM	OFOI

OPENING - WINDOW SCHEDULE

ROOM NAME	OPENING NUMBER	OPENING			MATERIAL	FRAME TYPE	HARDWARE SET	FIRE RATING	REMARKS	REVISION
		WIDTH	HEIGHT	TYPE						
CORRIDOR	5	9'-0"	6'-6"						SEE DETAIL A2/A6.2	

GENERAL NOTES TO OPENING SCHEDULE

- A. FOR FRAME THROAT REQUIREMENTS, SEE "PARTITION TYPES" AND PARTITION REFERENCES ON FLOOR PLANS OR FIELD VERIFY EXISTING PARTITION THICKNESS. SEE REFERENCED DETAILS FOR REQUIRED ANCHORAGE.
- B. FRAME TYPE: SEE "CODE TO OPENING SCHEDULE" FOR DEFINITION OF DESIGNATIONS IN "OPENING TYPE" COLUMN. THE SCHEDULED FRAME TYPE DEFINES THE CONFIGURATION OF THE OPENINGS AND INDICATES DETAIL REFERENCES.
- C. OPENING SIZE: FRAMED OPENINGS - THE TOTAL WIDTH OF THE OPENING IS THE FRAME DIMENSION (PROFILE) ADDED TO SCHEDULED DOOR SIZE. SEE REFERENCED DETAILS FOR RELATION OF FRAME SIZE TO ACTUAL SIZE OF WALL OR PARTITION OPENING. SEE FLOOR PLANS FOR GLAZED OPENING WIDTHS.
- D. SEE CODE TO FINISH SCHEDULE CONTAINED ON THE "FINISH SCHEDULE" OR THE INTERIOR DESIGN DRAWINGS FOR DEFINITION OF HARDWOOD SPECIES, PAINT COLORS AND PLASTIC LAMINATE COLORS.
- E. SEE HARDWARE SPECIFICATIONS FOR DESCRIPTION OF "HARDWARE SET". SEE DETAIL A6/A6.2 FOR MOUNTING HEIGHT OF FINISH HARDWARE.
- F. DOOR THICKNESS SHALL BE 1-3/4 INCHES UNLESS OTHERWISE NOTED.
- G. SEE "CODE TO OPENING SCHEDULE" FOR DOOR, FRAME, AND TRANSOM MATERIAL ABBREVIATIONS.
- H. THE CLEARANCE BETWEEN THE FLOOR AND THE BOTTOM OF THE DOOR AT FIRE RATED DOORS SHALL NOT EXCEED LIMITS SET BY THE APPLICABLE CODES. THE CLEARANCE BETWEEN THE FLOOR AND THE BOTTOM OF THE DOOR ON NON-RATED DOORS SHALL NOT EXCEED 3/4".
- I. ALL GRAPHICS INDICATED WILL BE DETAILED, FURNISHED AND INSTALLED BY OWNERS GRAPHICS SUPPLIER (NIC).
- J. DOOR AND WINDOWS IN EXIT ENCLOSURES MUST MEET IBC 714.2.4: "THE MAXIMUM TRANSMITTED TEMPERATURE RISE POINT SHALL NOT EXCEED 450 DEGREES F. ABOVE AMBIENT TEMPERATURE AT THE END OF 30 MINUTES OF THE FIRE EXPOSURE OF STANDARD FIRE TEST EXPOSURE."
- K. ALL DOORS AT SMOKE BARRIERS AND PRESSURIZED STAIR ENCLOSURES SHALL HAVE SMOKE SEAL GASKETS AT THE HEAD AND JAMB.

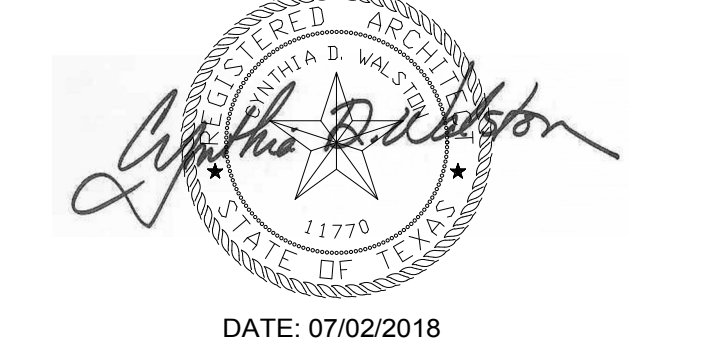
ABBREVIATION TO OPENING SCHEDULE

- ALS ALUMINUM STOREFRONT DOOR AND FRAME
 - ASD ALUMINUM SLIDING DOOR
 - FWD WOOD DOOR, HARDWOOD VENEER, PREFINISHED
 - HM HOLLOW METAL
 - OFS FIRE SHUTTER, VERTICAL COILING
 - OPP OPERABLE PANEL PARTITION
 - PA PREFINISHED ALUMINUM (KNOCK DOWN) FRAME
- DESIGNATION IN THE FIRE RATING COLUMN OF THE OPENING SCHEDULE INDICATES A FIRE RATED DOOR, FRAME, AND HARDWARE AS FOLLOWS:
- 20 *CLASS C* 1 1/2 HOUR RATING (20 MINUTE)
 - 45 *CLASS C* 3/4 HOUR RATING (45 MINUTE)
 - 60 *CLASS C* 1 HOUR RATING (60 MINUTE)
 - 90 *CLASS B* 1 1/2 HOUR RATING (90 MINUTE)



ARCHITECT OF RECORD

CYNTHIA D. WALSTON



DATE: 07/02/2018

REVISIONS

1	08/17/2018	ADDENDUM NO. 2
2	08/29/2018	ADDENDUM NO. 3

PROJECT NAME



Jane and Robert Cizik School of Nursing

The University of Texas Health Science Center at Houston

SIMULATION LAB

PROJECT NUMBER

045017.0000 CIP 1601

ISSUE

ISSUE FOR CONSTRUCTION

DATE

07/02/2018

DRAWING TITLE

OPENING & FRAME TYPES

DRAWING NUMBER

A1.1