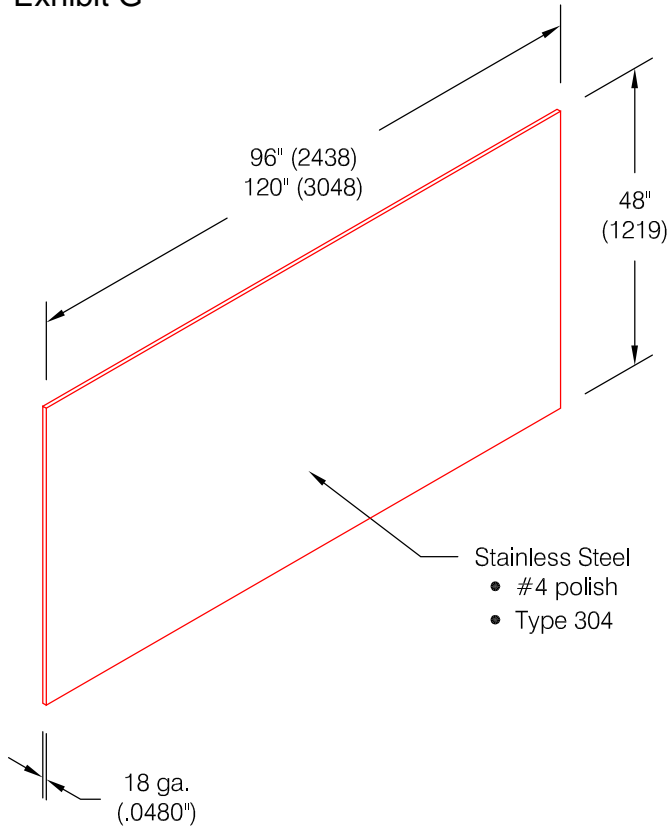


# SWC-18 Stainless Wall Covering

Exhibit G



*Features:*

- Type 304
- 18 gauge
- Standard sizes:
  - 4'-0" (1219) x 8'-0" (2438)
  - 4'-0" (1219) x 10'-0" (3048)
- Other thickness available
- Custom sizes are available (minimums apply)

*Finishes:*

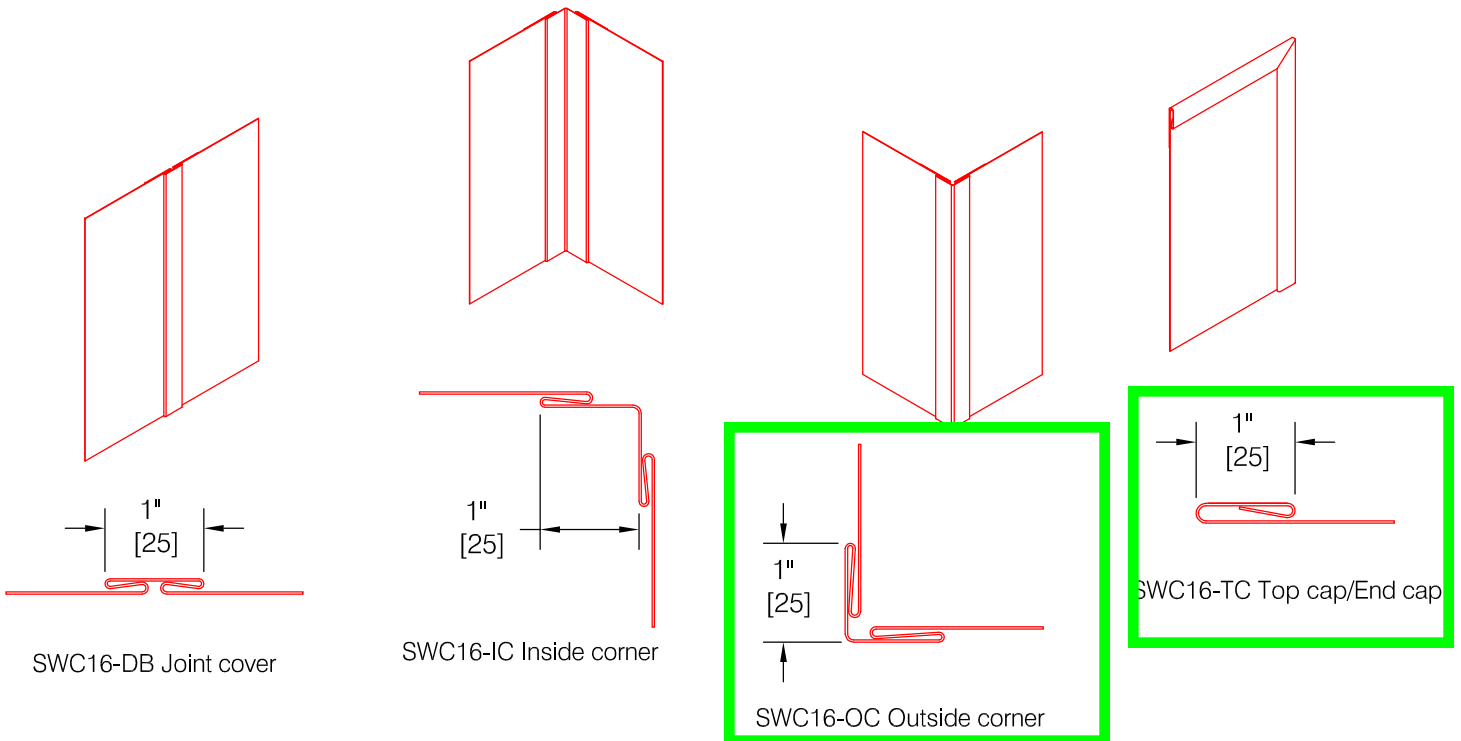
- #4 polish

*Mounting Options:*

- Standard mounting
- Adhesive:
  - ADH-50 adhesive supplied separately
- Optional mounting
- Drilled:
  - Clearance holes for ABSS-113 #8 x 1 1/2" oval head sheet metal and ABCW-132 stainless cup washer supplied separately as required
- Countersink Drilled:
  - Clearance holes for ABSS-134 #6 x 1 1/2" oval head sheet metal screw supplied separately as required

*Optional Accessories:*

- Profile edge trim (24 gauge)  
(See below)



Pawling Corporation reserves the right to discontinue a design or modify an existing design without prior notice

Customer :	Project :	WD.220.1
Architect :	Sales Rep :	